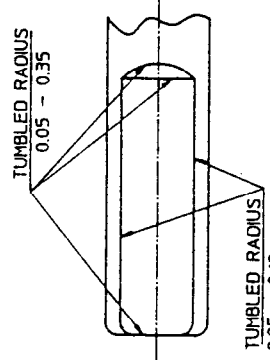
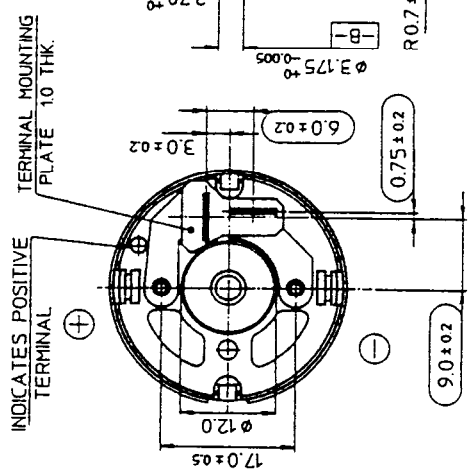
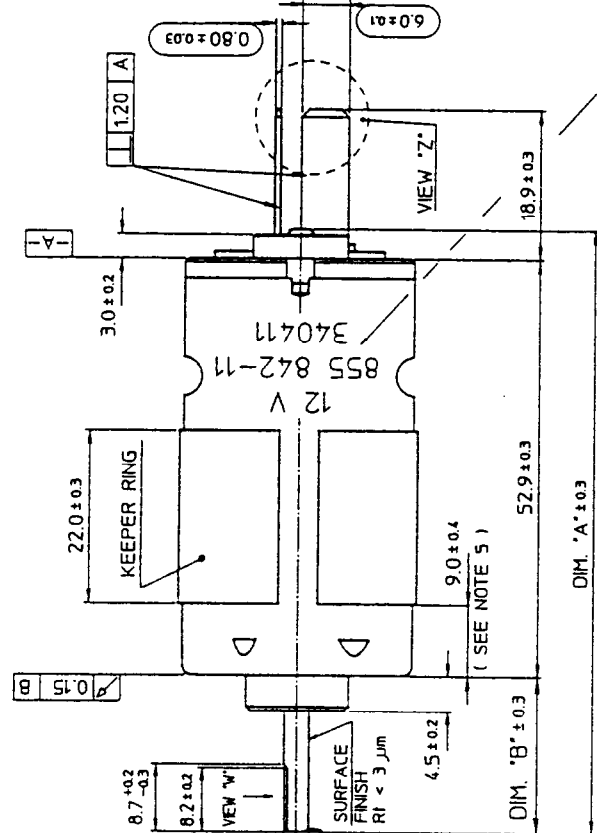
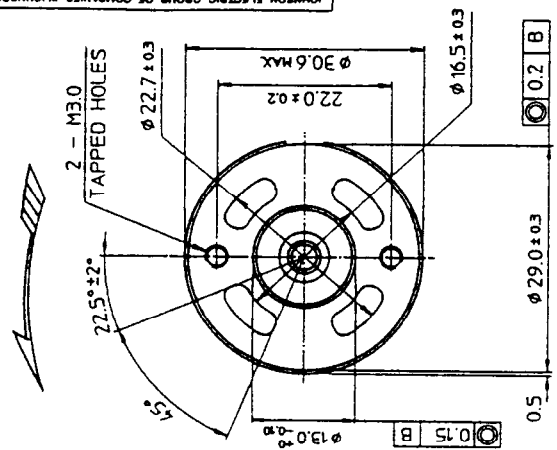


ROTATION



DIRECT PRINT ONTO REAR HSG. PART NO. MFR. DATE CODE & VOLT. CHARACTERS TO BE BLACK OF MIN. HEIGHT 3 mm & NON-REMOVABLE. DATE CODE FORMAT : FIRST DIGIT - STAND FOR LOCATION CODE e.g. 1 FOR P01, 3 FOR 301, 8 FOR 801. SECOND DIGIT - STAND FOR PRODUCTION YEAR e.g. 4 FOR 1994. THIRO & FOURTH DIGITS - STAND FOR PRODUCTION WEEK e.g. 04 FOR 04th WEEK FIFTH DIGIT - STAND FOR WEEK DAY. e.g. 1 FOR MONDAY, 2 FOR TUESDAY, 3 FOR WEDNESDAY, 4 FOR THURSDAY, 5 FOR FRIDAY, 6 FOR SATURDAY, 7 FOR SUNDAY. LAST DIGIT - STAND FOR LOT NUMBER.

ENLARGED VIEW 'Z'
(SCALE 3 : 1)

DIM. REVIEW FOR CUSTOMER SPEC.		DATE	19/7/94
ALT. REF.	DESCRIPTION	BY	
MATERIAL	FINISH	TOLERANCES	
		1 DEC. PLACES ± 0.5	
		2 DEC. PLACES ± 0.0	
		3 DEC. PLACES ± ANGULAR ± 2'	
TITLE		SCALE	1.5 : 1
(KC 415 LG)		DWN. BY	KEUNG
MOTOR OUTLINE		CHK. BY	
		APP. BY	
		DWG. NO.	45030-99900A2

- NOTES:-
1. LENGTH OF SHAFT, DIM. 'A' 75.5 mm.
 2. FRONT EXTENSION, DIM. 'B' 20.0 mm., MEASURED WITH SHAFT PUSHED AGAINST PLASTIC END CAP.
 3. DIRECTION OF ROTATION: ANTI-CLOCKWISE WHEN VIEWING MOTOR OUTPUT END WITH POSITIVE VOLTAGE APPLIED TO POSITIVE TERMINAL.
 4. END PLAY: 0.5 mm MAX..
 5. DIMENSION 9.0 ± 0.4 MEASURED WHEN A FORCE OF 5N PUSHED KEEPER-RING TOWARDS SHAFT OUTPUT END
 6. DIM. MARKED WITH * CRITICAL DIM. AS REQUIRED.

This document is the property of Johnson Electric and its reproduction or other use in whole or in part is strictly prohibited. Information contained is confidential. Unauthorized disclosure or other use is prohibited. Johnson Electric SA 19. Copyright Johnson Electric SA 19. All rights reserved.