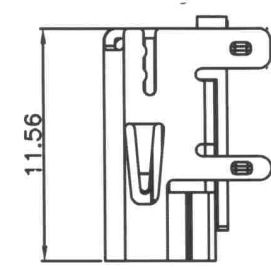
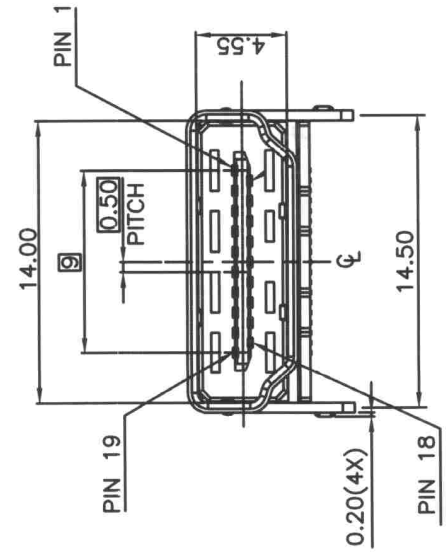
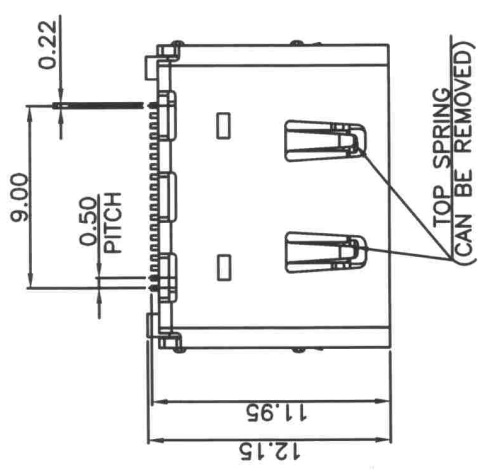


MATERIAL: LCP, UL 94V-0 Rated; Color: Black.
 HOUSING: LCP, UL 94V-0 Rated; Color: Black.
 SHELL: BRASS.
 CONTACT: BRASS.
 2. FINISH:
 CONTACT: GOLD(SEE TABLE) PLATED ON CONTACT AREA,
 TIN PLATED ON SOLDER TAILS.
 SHELL: NICKEL UNDERPLATED.



PRELIMINARY

ANGLE	DECIMALS: X=±0.25, XX=±0.1	APP	DATE	95/02/28	SIZE	A4	1
FILE NO.	08	NAME	CC-HD550-199				
SCALE	1:1	FILE ADD.	HDMI Connector SMT Type				
LTR			REVISION RECORD		DATE		

5	4
---	---