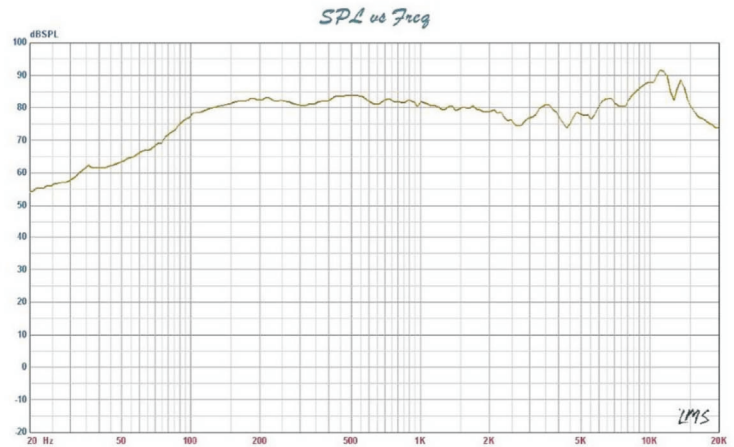
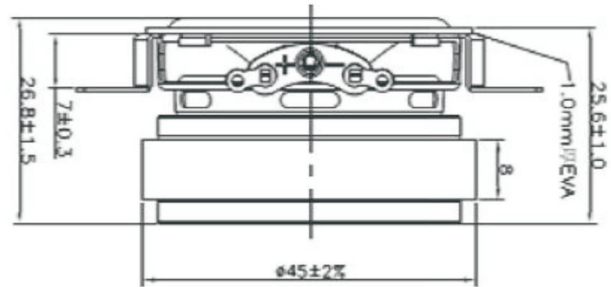
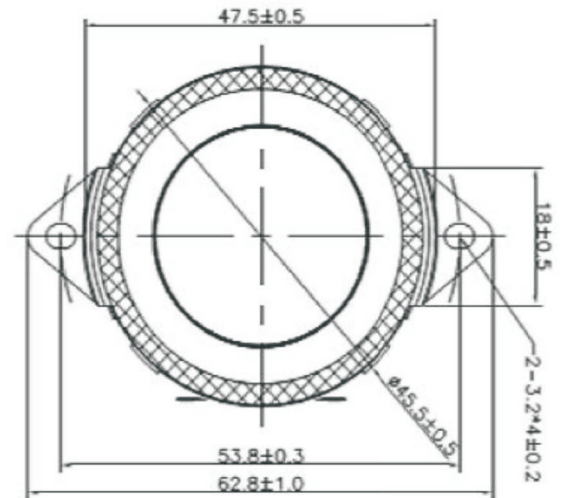


SPECIFICATION SHEET

MODEL	PS-137
MECHANICAL SPECIFICATIONS	
Overall diameter (mm)	47.5
Baffle cutout diameter (mm)	45.5
Depth (mm)	26.8
Net weight (kg)	-
ELECTRICAL SPECIFICATIONS	
Nominal impedance (Ω)	4
Nominal power handling (W)	3
Program power (W)	6
Sensitivity (1W/1m) (dB)	79 \pm 3
Frequency range (Hz)	120-13KHz
Voice coil diameter (mm)	3.6
Former material	KSV/CCAW
Magnetic(size)	45*19*8,Y30
THIELE & SMALL PARAMETERS	
Fs (Hz)	-
Re (Ω)	-
Qes	-
Qms	-
Qts	-
Vas (L)	-
Sd (cm ²)	-
Xmax (mm)	-
Mms (gr)	-
Bl (N/A)	-
Le@1K (mH)	-
Mmd (gr)	-
Cms (mm/N)	-
Rms (kg/s)	-



Prepared by:

Checked by:

Approved by: