

FEATURES

- Continuous current capacity up to 20A, 14VDC and 12A, 120VAC
- Most popular package and footprint
- Class B insulation for automotive applications
- Various contact materials for choice

TYPICAL APPLICATIONS

- Business machine
- Audio equipment
- Home appliances
- Air conditioner
- Automotive control

CONTACT RATING

Type	HG4232	HG4232A
Resistive	12A, 120VAC 12A, 28VDC 7A, 240VAC	20A, 14VDC

UL/CSA RATING

Type	HG4232
Resistive	10A, 120VAC 10A, 28VDC 5A, 240VAC 35LRA/6FLA, 120VAC(NO)
TV	5A, 120VAC (NO)

CONTACT DATA

Material	AgCdO	
Initial Contact Resistance	100 mΩ max. at 0.1A 6VDC	
Service Life	Mechanical	10 ⁷ ops.
	Electrical	10 ⁵ ops.

COIL DATA

Type	Coil Voltage Code	Nominal Voltage (VDC)	Resistance (Ω) ±10%		Must Operate Voltage max. (VDC)	Must Release Voltage min. (VDC)
			Power Consumption			
HG4232	003	3	25	0.36W	2.1	0.3
	005	5	70		3.5	0.5
	006	6	100		4.2	0.6
	009	9	225		6.3	0.9
	012	12	400		8.4	1.2
	024	24	1600		16.8	2.4
	048	48	6400		33.6	4.8
HG4232A	006	6	45	0.8W	3.2	0.6
	012	12	180		6.3	1.2
	024	24	720		12.6	2.4

CHARACTERISTICS

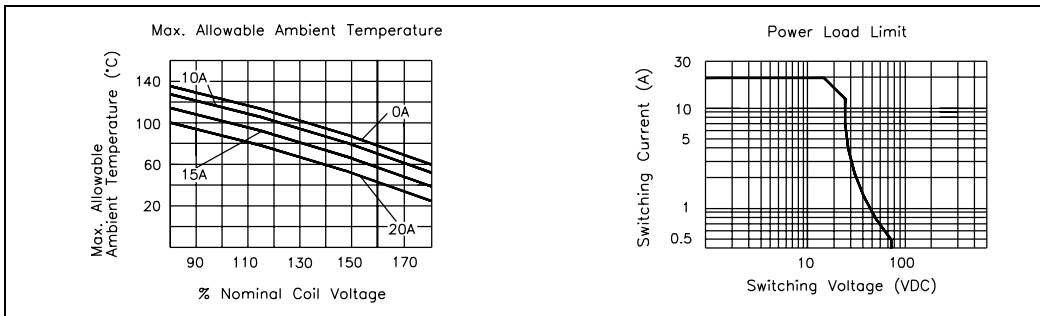
Operate Time	10 ms. max.
Release Time	5 ms. max.
Insulation Resistance	100 MΩ, at 500VDC, 50%RH
Dielectric Strength	1500 Vrms, 1 min. between coil and contacts 1000 Vrms, 1 min. between open contacts
Shock Resistance	10 g, 11ms.
Vibration Resistance	DA 1.5mm, 10 - 55 Hz, functional
Drop Resistance	1 M height drop on concrete in final enclosure
Power Consumption	HG4232: 0.36W; HG4232A: 0.8W
Ambient Temperature	HG4232: -40°C to 85°C operating; -40°C to 130°C storage HG4232A: -40°C to 105°C operating; -40°C to 155°C storage
Weight	10 g, approx.

HG4232 HG4232A

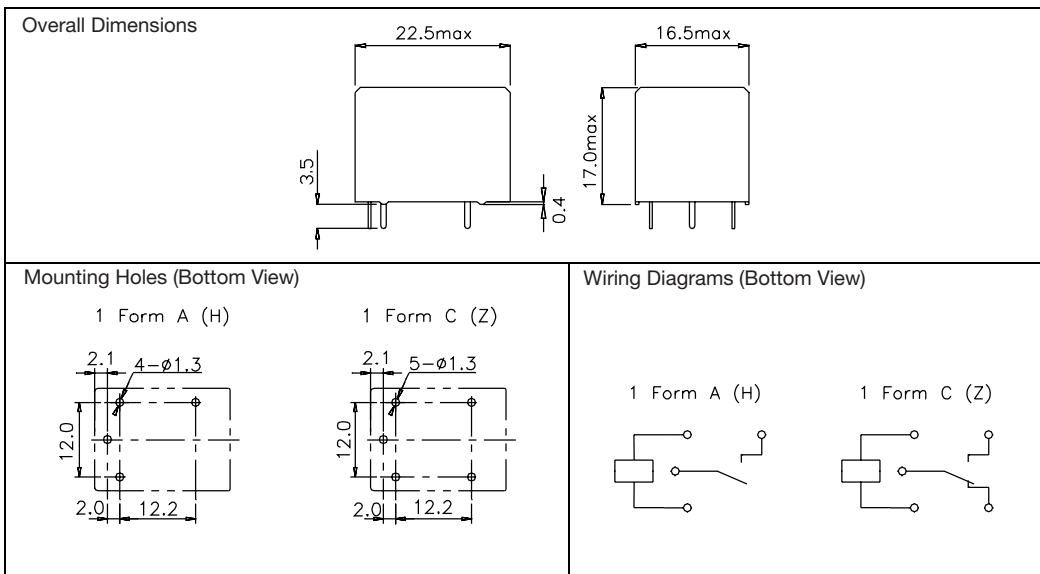
ORDERING DESIGNATION

Example:	HG4232	A /	012 -	Z	1	C
Model						
Type						
Nil: General Purpose						
A: Automotive						
Coil Voltage Code						
Contact Form						
H: 1 Form A; Z: 1 Form C						
Version						
1: Sealed; 2: Flux Free; 3: Dust Cover						
Contact Material						
Nil: AgNi10; A: AgNi0.15; C: AgCdO; S: AgSnOInO						

REFERENCE CURVES



OVERALL DIMENSIONS, MOUNTING HOLES AND WIRING DIAGRAMS (mm)



NOTES

1. All parameters, unless otherwise specified, are measured at ambient temperature 23°C.
2. Custom-made services available with operational quantity. Please let us know your special requirements.
3. Specifications subject to change without prior notice.